

For High Pressure

350 CUPLA

For hydraulic pressures up to 34.5 MPa {352 kgf/cm²}

Working pressure

34.5 MPa
(352 kgf/cm²)

Valve structure

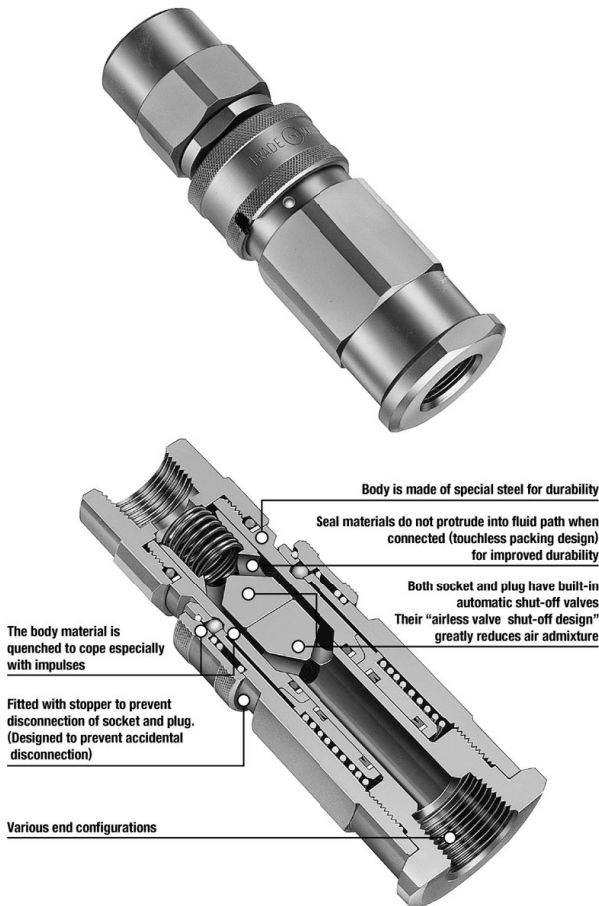
Two-way shut-off
(Non-Spill)

Applicable fluid

Hydraulic oil

Their “airless valve shut-off design” greatly reduces air admixture! Ideal for hydraulic lines with larger pressure fluctuations.

- Sleeve stopper mechanism can be engaged by rotating sleeve after connection.
- Both socket and plug have built-in automatic shut-off valves to prevent fluid spill out when disconnected.



Specifications

Body material	Special steel (Nickel plated)			
Size (Thread)	1/4", 3/8", 1/2", 3/4", 1", 1 1/4", 1 1/2"			
Pressure unit	MPa	kgf/cm ²	bar	PSI
Working pressure	34.5	352	345	5000
Seal material	Fluoro rubber	FKM (X-100)	Working temperature range	Standard material
Working temperature range	-20°C to +180°C			

Maximum Tightening Torque Nm {kgf·cm}

Size (Thread)	1/4"	3/8"	1/2"	3/4"	1"	1 1/4"	1 1/2"
Torque	28 {286}	40 {408}	80 {816}	150 {1530}	250 {2550}	500 {5100}	500 {5100}

Flow Direction



Interchangeability

Socket and plug of different sizes cannot be connected. However, 350-2SP with 350-3SP or 350-10SP with 350-12SP can be connected with each other.

Minimum Cross-Sectional Area (mm²)

Model	350-2SP	350-3SP	350-4SP	350-6SP	350-8SP	350-10SP	350-12SP
Minimum cross-sectional area	34.2	34.2	73.0	149.6	227.0	452.4	452.4

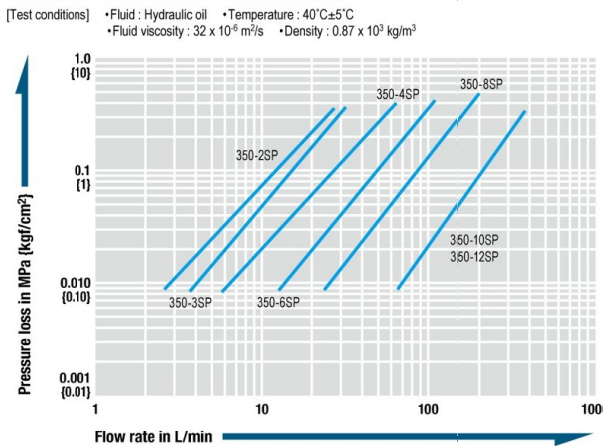
Suitability for Vacuum

Not suitable for vacuum application in either connected or disconnected condition.

Admixture of Air on Connection May vary depending upon the usage conditions. (mL)

Model	350-2SP	350-3SP	350-4SP	350-6SP	350-8SP	350-10SP	350-12SP
Volume of air	0.1	0.1	0.2	0.3	0.5	0.9	0.9

Flow Rate – Pressure Loss Characteristics



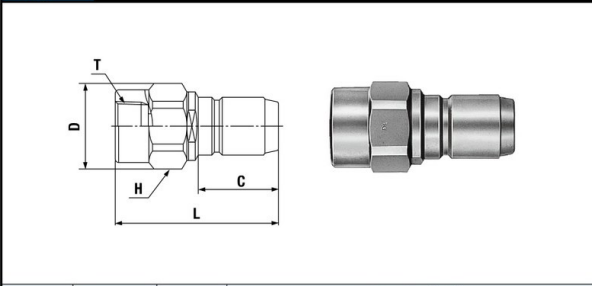
⚠ Precautions for use

Do not connect / disconnect CUPLA when pressure is applied or remaining.

Models and Dimensions

Product appearance may vary by size. / WAF : WAF stands for width across flats.

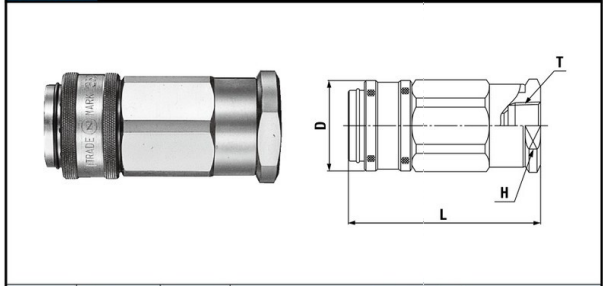
Plug Female thread



Model	Application (Thread)	Mass (g)	Dimensions (mm)				
			L	C	øD	H(WAF)	T
350-2P	R 1/4	170	(72)	36	29	Hex.27	Rc 1/4
350-3P	R 3/8	167	(72)	36	29	Hex.27	Rc 3/8
350-4P	R 1/2	245	85	40.5	30	Hex.27	Rc 1/2
350-6P	R 3/4	415	87	44.5	40	Hex.36	Rc 3/4
350-8P	R 1	950	111	57	55	Hex.50	Rc 1
350-10P	R 1 1/4	2,700	(144)	75	78	Hex.70	Rc 1 1/4
350-12P	R 1 1/2	2,600	(144)	75	78	Hex.70	Rc 1 1/2

* G thread is available on request.

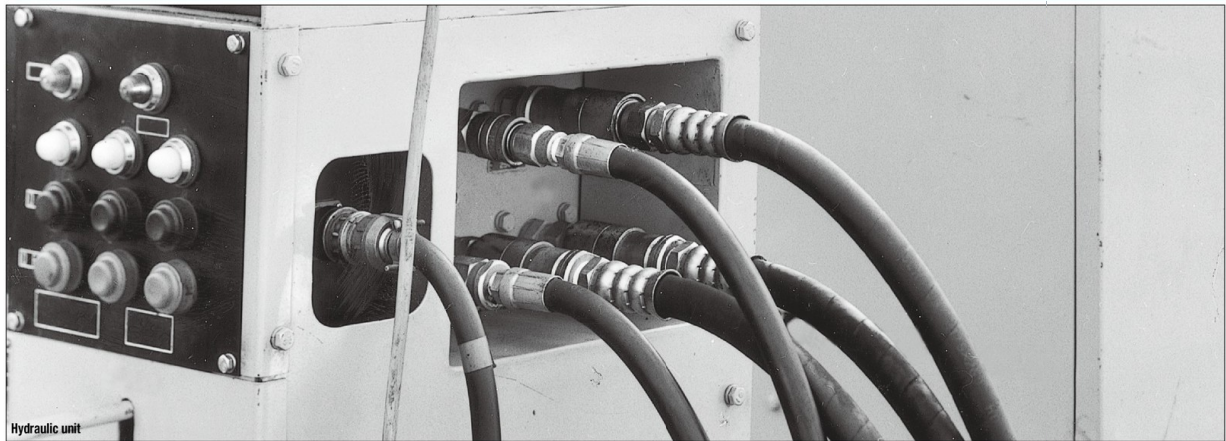
Socket Female thread



Model	Application (Thread)	Mass (g)	Dimensions (mm)			
			L	øD	H(WAF)	T
350-2S	R 1/4	360	(82)	(34)	Hex.30	Rc 1/4
350-3S	R 3/8	353	(82)	(34)	Hex.30	Rc 3/8
350-4S	R 1/2	545	(93.5)	(41)	Hex.36	Rc 1/2
350-6S	R 3/4	976	(105.5)	(49)	46 x ø52	Rc 3/4
350-8S	R 1	1,740	(129)	(63)	55 x ø62	Rc 1
350-10S	R 1 1/4	5,600	(180)	89	Hex.80 x ø90	Rc 1 1/4
350-12S	R 1 1/2	5,500	(180)	89	Hex.80 x ø90	Rc 1 1/2

* G thread is available on request.

Application Example



Hydraulic unit

Optional Accessory

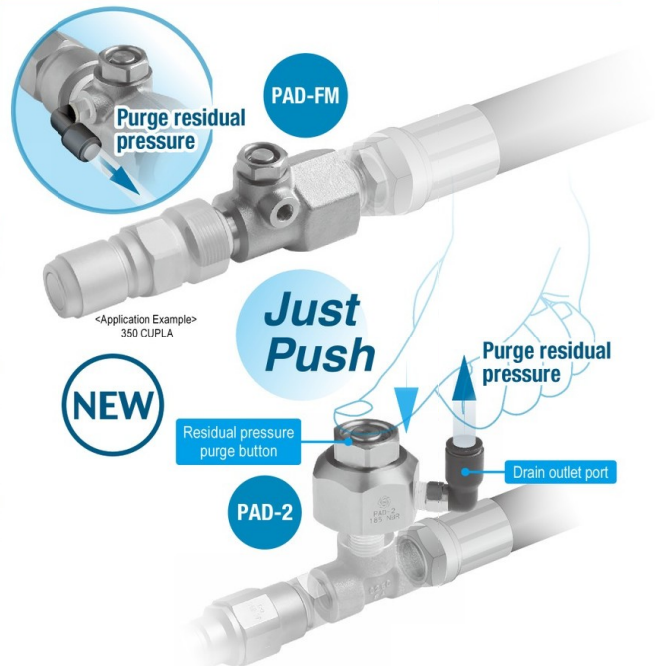
PURGE ADAPTER

Residual Pressure Purge Adapter for Hydraulic Lines

- Can be attached to hydraulic lines to purge residual pressure effectively.
- See page 153 for the details.

Specifications

Model	PAD-2	PAD-3FM	PAD-4FM	PAD-6FM	PAD-8FM
Body material	Steel (Nickel plated)				
Application (Thread)	R 1/4	R 3/8 x Rc 3/8	R 1/2 x Rc 1/2	R 3/4 x Rc 3/4	R 1 x Rc 1
Pressure unit	MPa	kgf/cm ²	bar	PSI	
Working pressure	35.0	357	350	5080	
Drain outlet port	For 8 mm OD tube		Application: Rc 1/8 (Max. Tightening Torque: 5 Nm)		
Applicable fluids	Hydraulic oil				
Seal material	Nitrile rubber	Mark	Working temperature range	Remarks	
Working temperature range		NBR (SG)	-5°C to +80°C	Standard material	



Before use, please be sure to read "Safety Guide" described at the end of this book and "Instruction Sheet" that comes with the products.